

PIPELINE PUMPS® 1.5 HORSEPOWER PUMP



High-Efficiency Full-Featured Pumps

For pump performance curve and specifications please scan the QR code



FEATURES

Permanent Magnet Motor (PMM) drive system

Total Enclosed Fan Cool (TEFC)

Four programmable speeds from 800 to 3400 RPM

Noise reduction vibration dampening rubber insert

Features integrated WiFi connectivity and an RS485 communication port

Includes communication cable

The RS485 communication port is compatible with controllers from Hayward®, Jandy®, Pentair®, and The Attendant by Poolside Tech®, and also supports Modbus protocols

Automation capability programmable start and stop times

Integrated 2½" and 2" (socket) pump union connection

Ergonomic lid handles with quick-release quarter-turn 4-point locking lid

High-capacity self-aligning HDPE ultra-durable basket

High-efficiency volute design

Voltage: 230V +/- 10% (220-240 VAC)

Maximum amperage: 7A

Three-year warranty

1 per case

16 per pallet

Hayward®, Pentair®, Jandy®, and Poolside Tech® are registered trademarks of Hayward Industries, Inc, Pentair Flow Services AG, Zodiac Pool Systems, LLC., and Poolside Tech, LLC., respectively

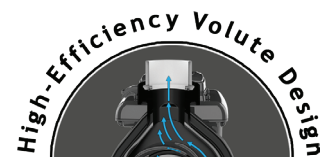
U.S. Patents www.aquastarpoolproducts.com/patents

NEW

PIPELINE PUMPS® HIGH-EFFICIENCY FULL-FEATURED PUMPS



WiFi compatible through phone app

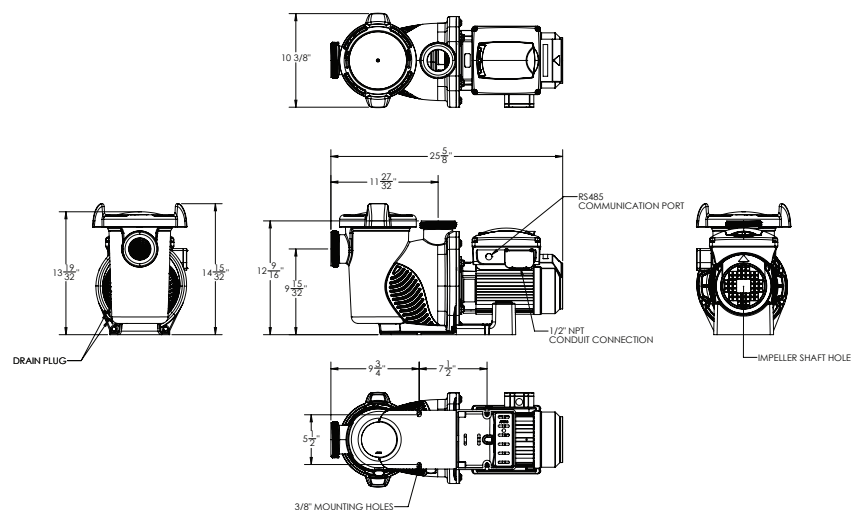


Patented

Part #

PLP150S - 1.5 HP, Variable Speed, Smart Model

PLP150S-SVRS - 1.5 HP, Variable Speed, Smart Model, With SVRS



P 877-768-2717 F 877-276-POOL Outside the US: P +1-949-336-1940 F +1-949-336-1940
 info@aquastarpoolproducts.com www.aquastarpoolproducts.com CS057-032824

PIPELINE PUMPS® 3 HORSEPOWER PUMP



High-Efficiency Full-Featured Pumps

For pump performance curve and specifications please scan the QR code



FEATURES

- Permanent Magnet Motor (PMM) drive system
- Total Enclosed Fan Cool (TEFC)
- Four programmable speeds from 800 to 3400 RPM
- Noise reduction vibration dampening rubber insert
- Features integrated WiFi connectivity and an RS485 communication port
- Includes communication cable
- The RS485 communication port is compatible with controllers from Hayward®, Jandy®, Pentair®, and The Attendant by Poolside Tech®, and also supports Modbus protocols
- Automation capability programmable start and stop times
- Integrated 2½" and 2" (socket) pump union connection
- Ergonomic lid handles with quick-release quarter-turn 4-point locking lid
- High-capacity self-aligning HDPE ultra-durable basket
- High-efficiency volute design
- Voltage: 230V +/- 10% (220-240 VAC)
- Maximum amperage: 10A
- Three-year warranty
- 1 per case
- 16 per pallet

Hayward®, Pentair®, Jandy®, and Poolside Tech® are registered trademarks of Hayward Industries, Inc, Pentair Flow Services AG, Zodiac Pool Systems, LLC., and Poolside Tech, LLC., respectively

U.S. Patents www.aquastarpoolproducts.com/patents

NEW

PIPELINE PUMPS® HIGH-EFFICIENCY FULL-FEATURED PUMPS

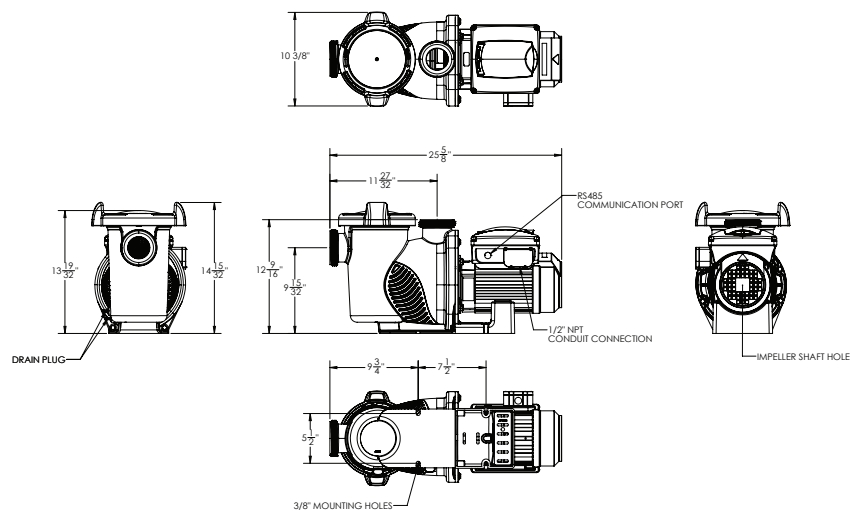


WiFi compatible through phone app



Patented

Part #
PLP300S - 3 HP, Variable Speed, Smart Model
PLP300S-SVRS - 3 HP, Variable Speed, Smart Model, With SVRS

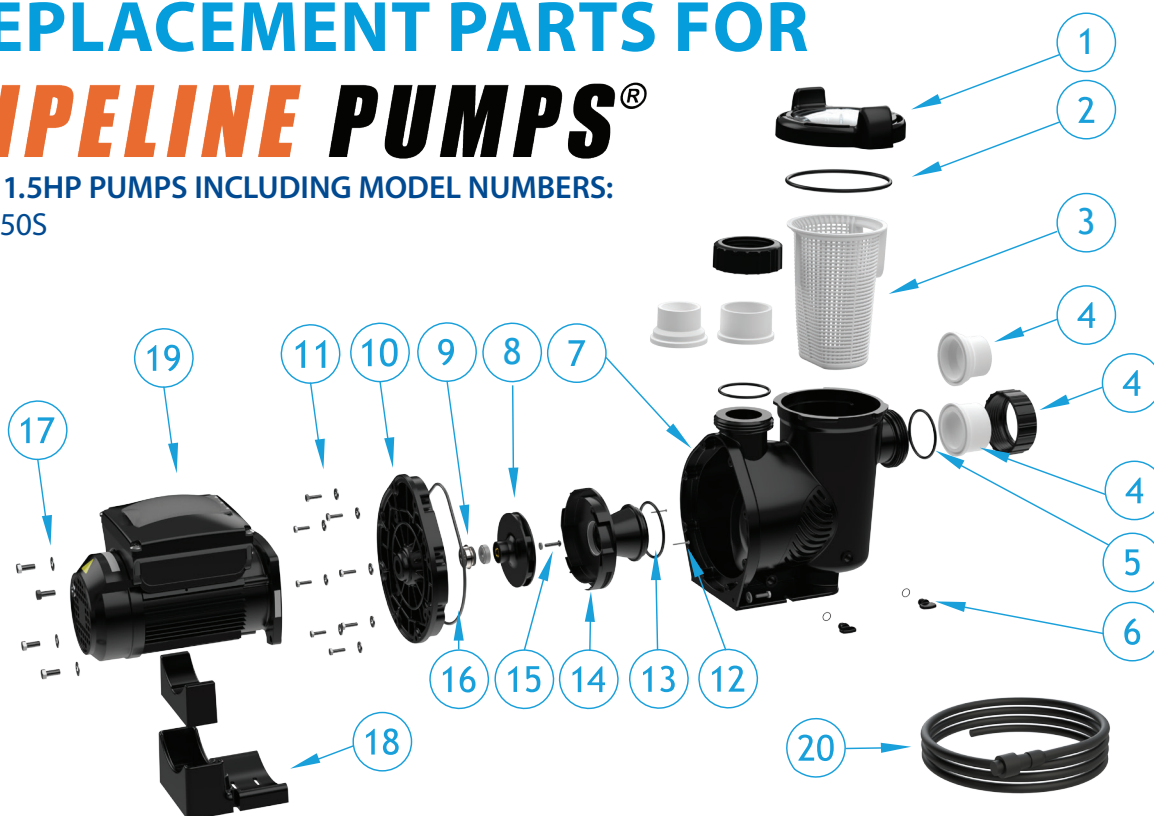


P 877-768-2717 F 877-276-POOL Outside the US: P +1-949-336-1940 F +1-949-336-1940
info@aquastarpoolproducts.com www.aquastarpoolproducts.com CS057-032824

REPLACEMENT PARTS FOR

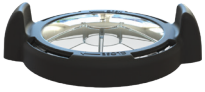
PIPELINE PUMPS®

FOR 1.5HP PUMPS INCLUDING MODEL NUMBERS:
PLP150S



ITEM NO.	PART NO.	DESCRIPTION
1	AP1101	Pump Locking Ring, Cover, and O-Ring 439
2	O-RING-439-EPDM	Lid Seal, O-Ring, #439, EPDM
3	AP1009	Pump Basket
4	AP1102	Union Set, 2" and 2.5" Socket, Union Nut, O-Ring 338, Qty 2 Each
5	AP1111	Union Seal, O-Ring #338, Qty 2
6	AP1105	Drain Plug and O-Ring, #014,A EPDM, Qty 2 Each
7	AP1005	Pump Housing
8	AP1112	Impeller Assembly, 1.5 HP, with Shaft Seal, Left THD. Screw, and Rubber Washer
9	AP1051	Seal, Ceramic
10	AP1113	Seal Plate Kit, with O-Ring 370, Shaft Seal, Screws and Washers
11	AP1106	Screw, 1/4"-20 X 7/8" LG., Hex Head, 18-8 SS and Washer, 3/4" OD X 5/16" ID, USS, 18-8 SS, Qty 8
12	AP1107	Screw, 4-40 X 1-1/8" LG., Pan Head Phill. 316 SS, Qty 2
13	O-RING-341-EPDM	Diffuser Seal, O-Ring 341, EPDM
14	AP1114	Diffuser, O-Ring 341, and Screws
15	AP1108	1/4"-20 X 1" LG., Left THD., Button Screw, 316 SS and Washer, .5" OD X .23" ID X .1" THK., EPDM Rubber
16	O-RING-370-EPDM	Seal Plate Seal, O-Ring 370, EPDM
17	AP1109	Screw, 3/8"-16 X 1" LG., Hex Head, 18-8 SS and Washer, 7/8" OD X .4" ID X .05" THK., 18-8 SS, Qty 4
18	AP1110	Bumper and Foot Motor Support, with Screws and Washers
19	AP150S	1.5 HP, Variable Speed, Smart Model
20	AP2006	Communication Cable
Replacement Kit	AP1116	Seal Replacement Kit: Lid O-Ring, Union O-Rings, Seal Plate O-Ring, Diffuser O-Ring, Impeller Sealing Washer, and Ceramic Shaft Seal

1



2



3



4



5



6



7



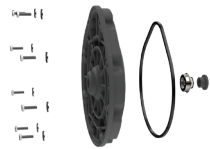
8



9



10



11



12



13



14



15



16



17



18



19



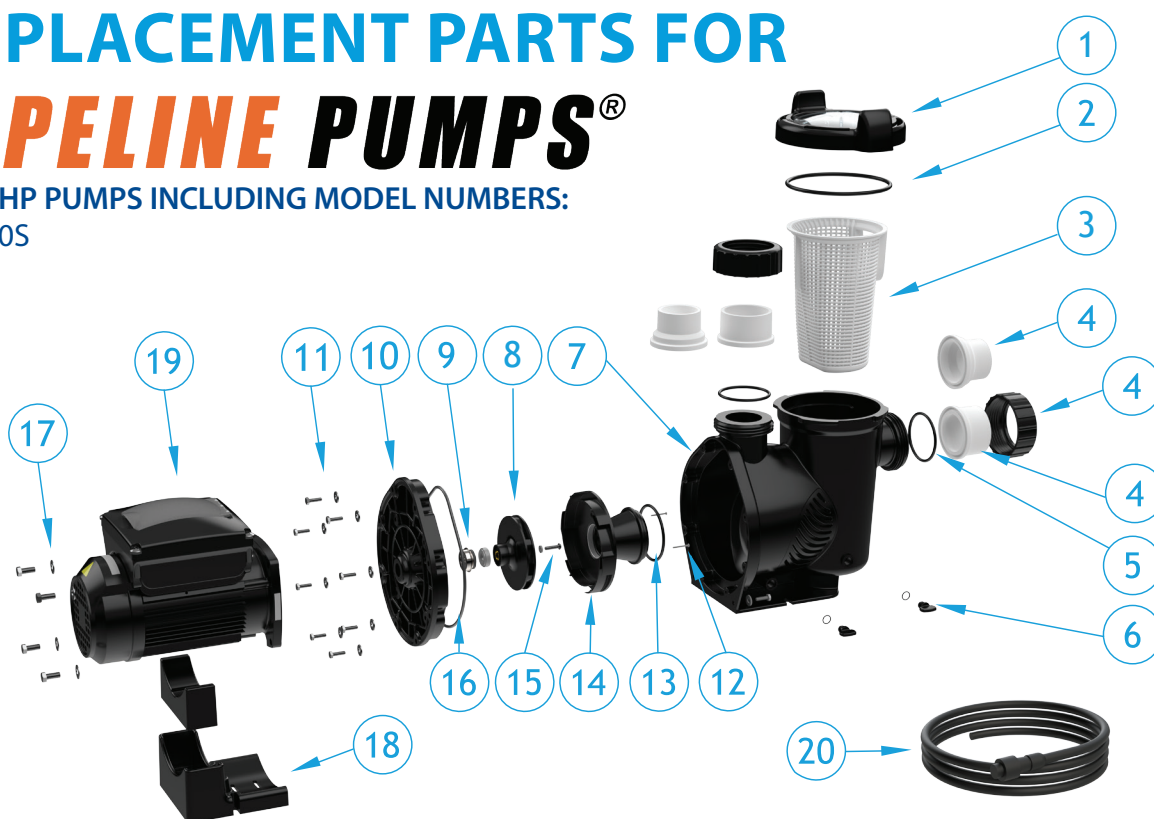
20



REPLACEMENT PARTS FOR

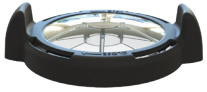
PIPELINE PUMPS®

FOR 3HP PUMPS INCLUDING MODEL NUMBERS:
PLP300S



ITEM NO.	PART NO.	DESCRIPTION
1	AP1101	Pump Locking Ring, Cover, and O-Ring 439
2	O-RING-439-EPDM	Lid Seal, O-Ring, #439, EPDM
3	AP1009	Pump Basket
4	AP1102	Union Set, 2" and 2.5" Socket, Union Nut, O-Ring 338, Qty 2 Each
5	AP1111	Union Seal, O-Ring #338, Qty 2
6	AP1105	Drain Plug and O-Ring, #014,A EPDM, Qty 2 Each
7	AP1005	Pump Housing
8	AP1115	Impeller Assembly, 3 HP, with Shaft Seal, Left THD. Screw, and Rubber Washer
9	AP1051	Seal, Ceramic
10	AP1113	Seal Plate Kit, with O-Ring 370, Shaft Seal, Screws and Washers
11	AP1106	Screw, 1/4"-20 X 7/8" LG., Hex Head, 18-8 SS and Washer, 3/4" OD X 5/16" ID, USS, 18-8 SS, Qty 8
12	AP1107	Screw, 4-40 X 1-1/8" LG., Pan Head Phill. 316 SS, Qty 2
13	O-RING-341-EPDM	Diffuser Seal, O-Ring 341, EPDM
14	AP1114	Diffuser, O-Ring 341, and Screws
15	AP1108	1/4-20 X 1" LG., Left THD., Button Screw, 316 SS and Washer, .5" OD X .23" ID X .1" THK., EPDM Rubber
16	O-RING-370-EPDM	Seal Plate Seal, O-Ring 370, EPDM
17	AP1109	Screw, 3/8"-16 X 1" LG., Hex Head, 18-8 SS and Washer, 7/8" OD X .4" ID X .05" THK., 18-8 SS, Qty 4
18	AP1110	Bumper and Foot Motor Support, W/ Screws and Washers
19	AP300S	3 HP, Variable Speed, Smart Model
20	AP2006	Communication Cable
Replacement Kit	AP1116	Seal Replacement Kit: Lid O-Ring, Union O-Rings, Seal Plate O-Ring, Diffuser O-Ring, Impeller Sealing Washer, and Ceramic Shaft Seal

1



2



3



4



5



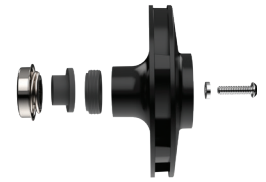
6



7



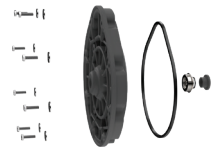
8



9



10



11



12



13



14



15



16



17



18



19

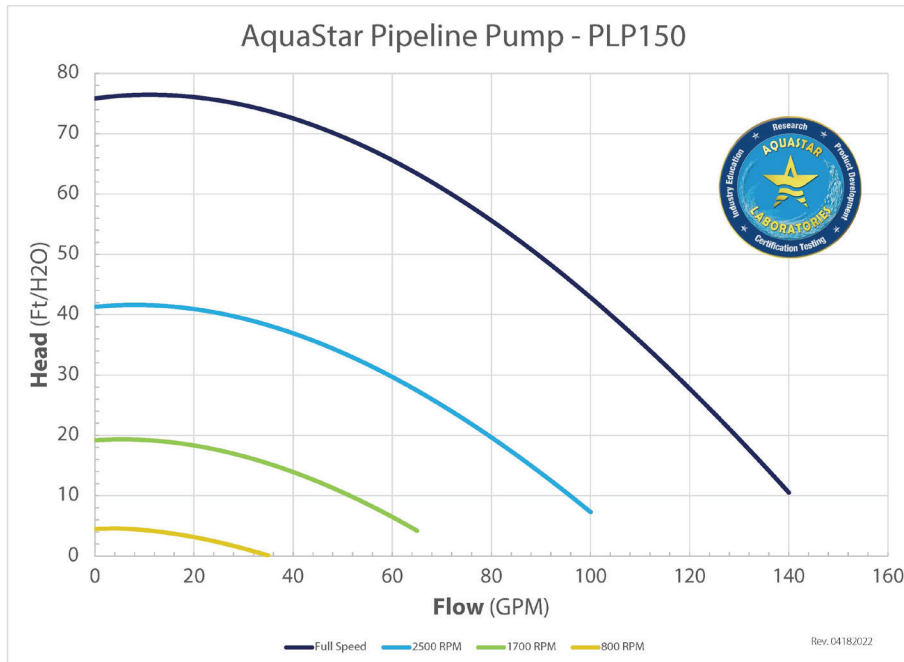


20



PIPELINE PUMPS® PUMP CURVES

Pump Curves for PLP150S



Pump Curves for PLP300S

